

XLR Balanced Audio to Fiber Converter



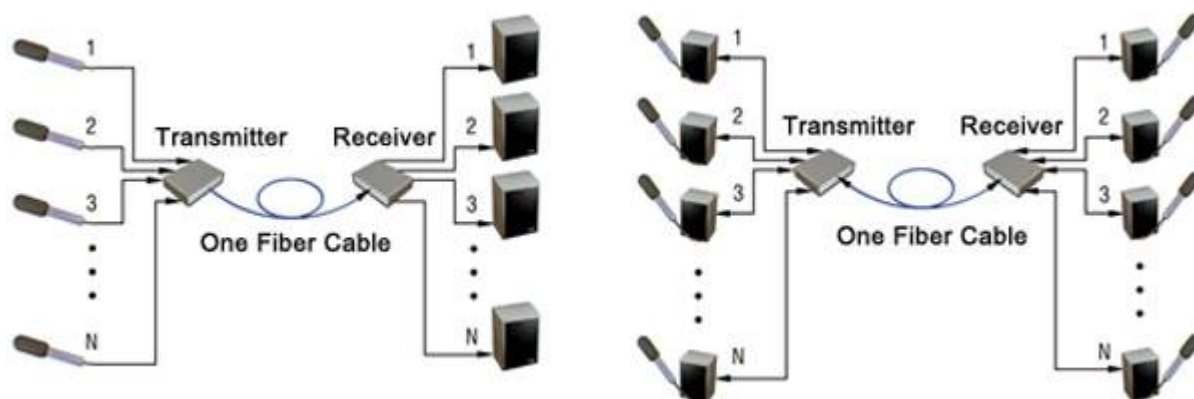
Description:

The XLR Balanced Audio to Fiber Converter support Channels of 16-bit digitally encoded broadcast quality balance audio over one multi-mode or single-mode optical fiber. These fiber optic transmitter and fiber optic receiver are typically used in applications for Rental, Staging, Theater, Stadiums, Theme Parks, Broadcast/Studio, CCTV audio and Professional AV applications, etc, and are available for stand-alone or rack-mount installations. FC, ST or SC optical connectors is optional.

Features:

- 1) Transmit several audios over one fiber.
- 2) Support Frequency Response from 10 Hz to 44.1kHz @±3dB.
- 3) LED indicators.
- 4) Supports hot swapping and hot plugging.

Typical Diagram:



Product:	Item No.	Dimension(mm)	GW(kg)
2 Channel XLR Balanced Audio to Fiber Converter	HK-2A-XLR-T/R	168 x 154 x 45 mm	1.50 kg/pair
2 Channel Bi-di XLR Balanced Audio to Fiber Converter	HK-2AA-XLR-T/R	168 x 154 x 45 mm	1.50 kg/pair